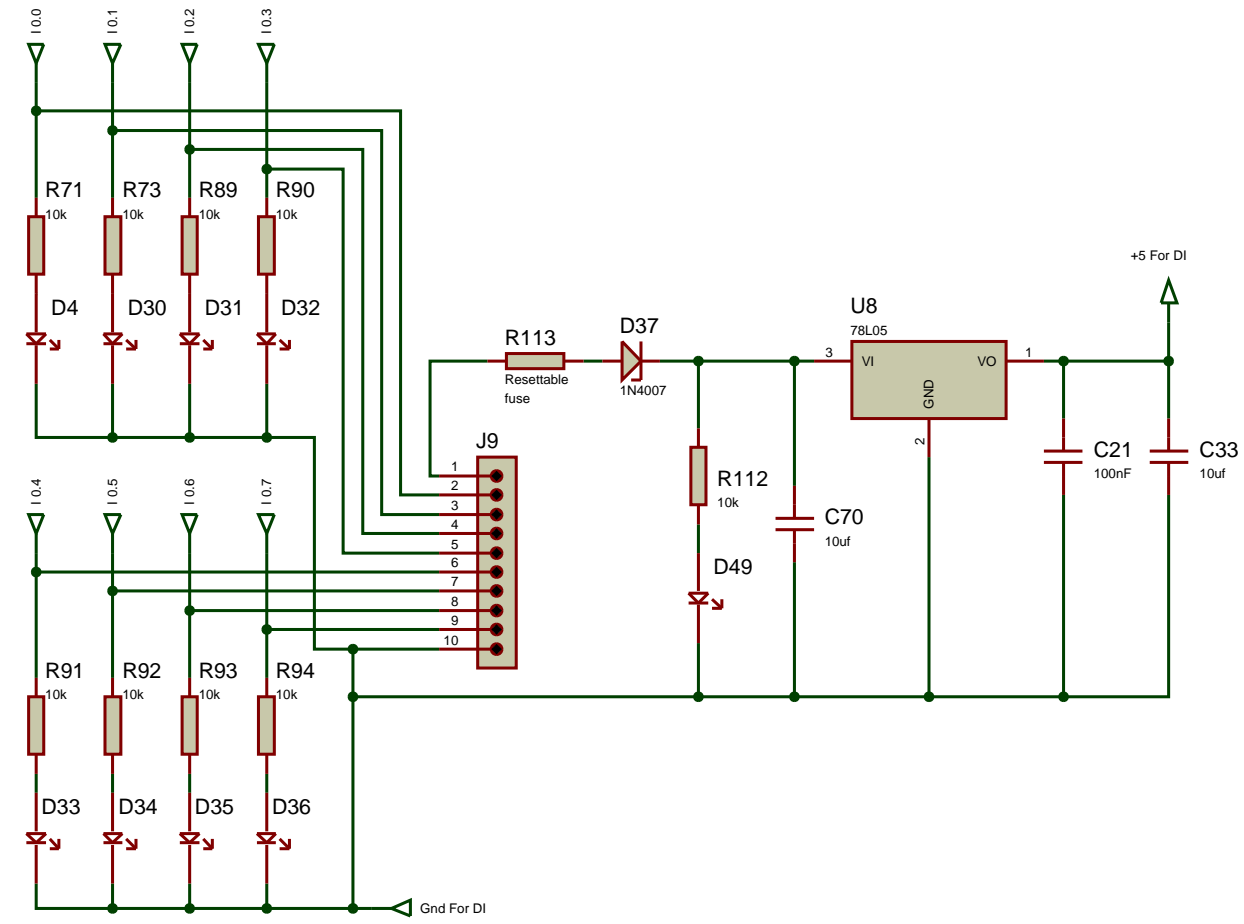
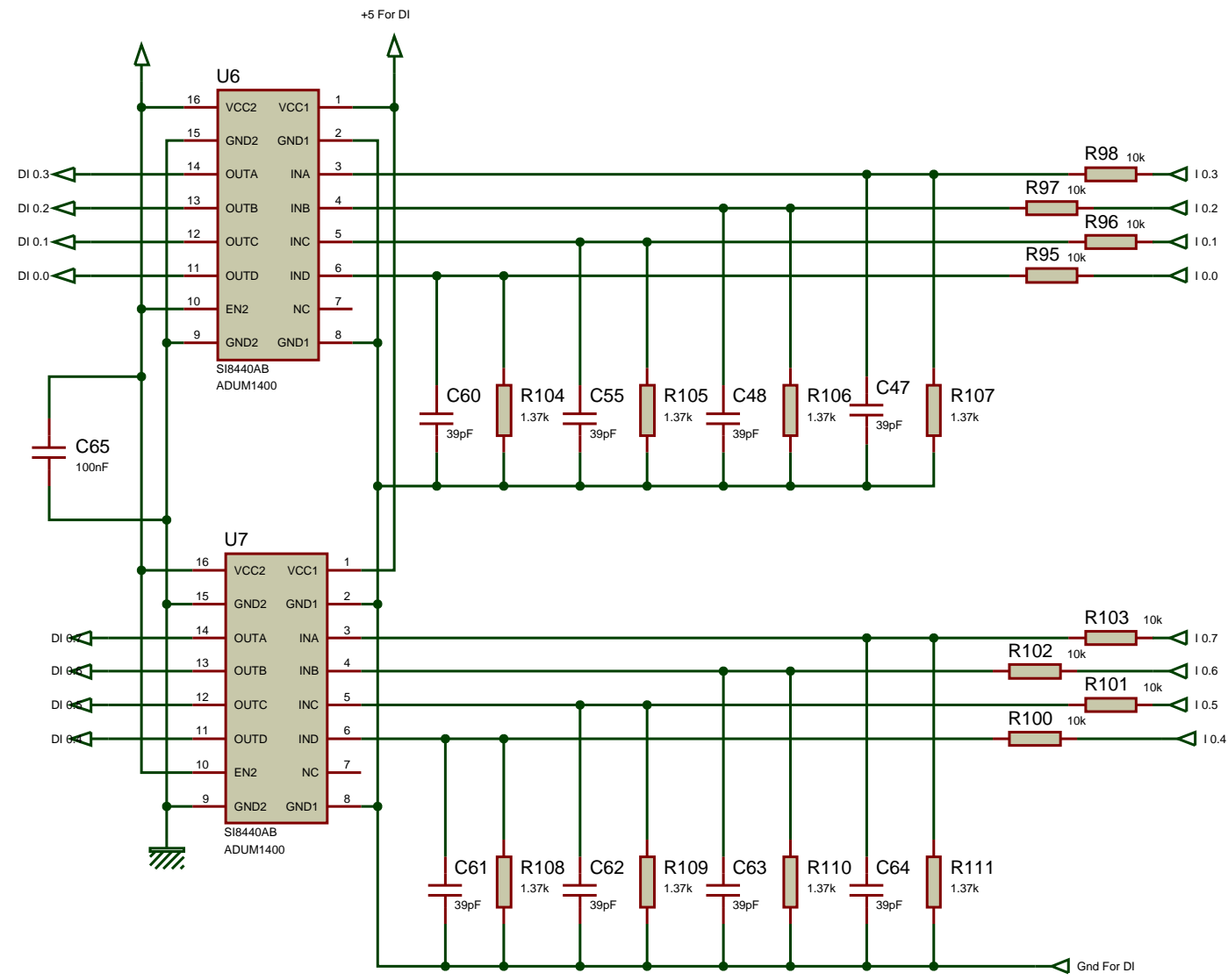
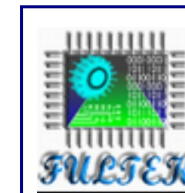
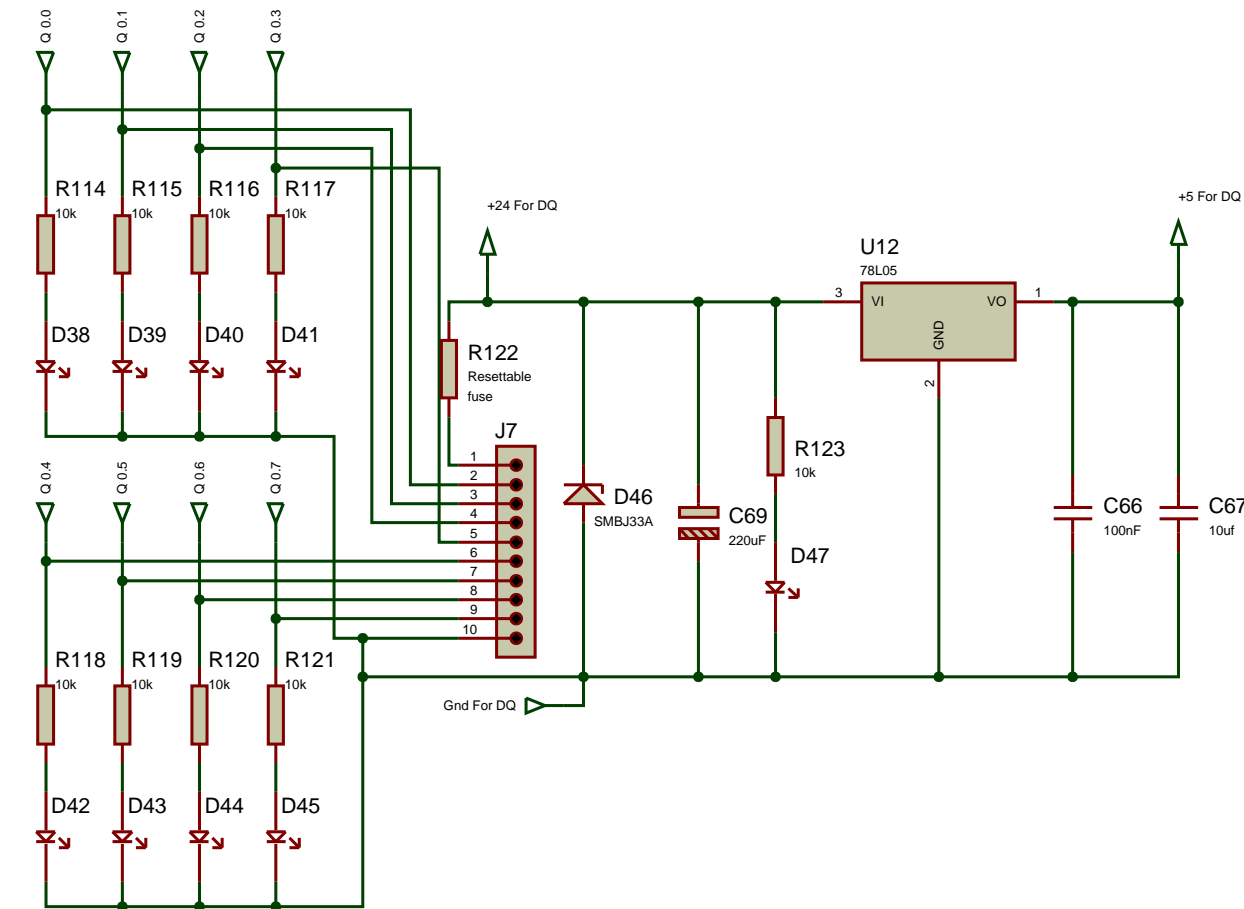
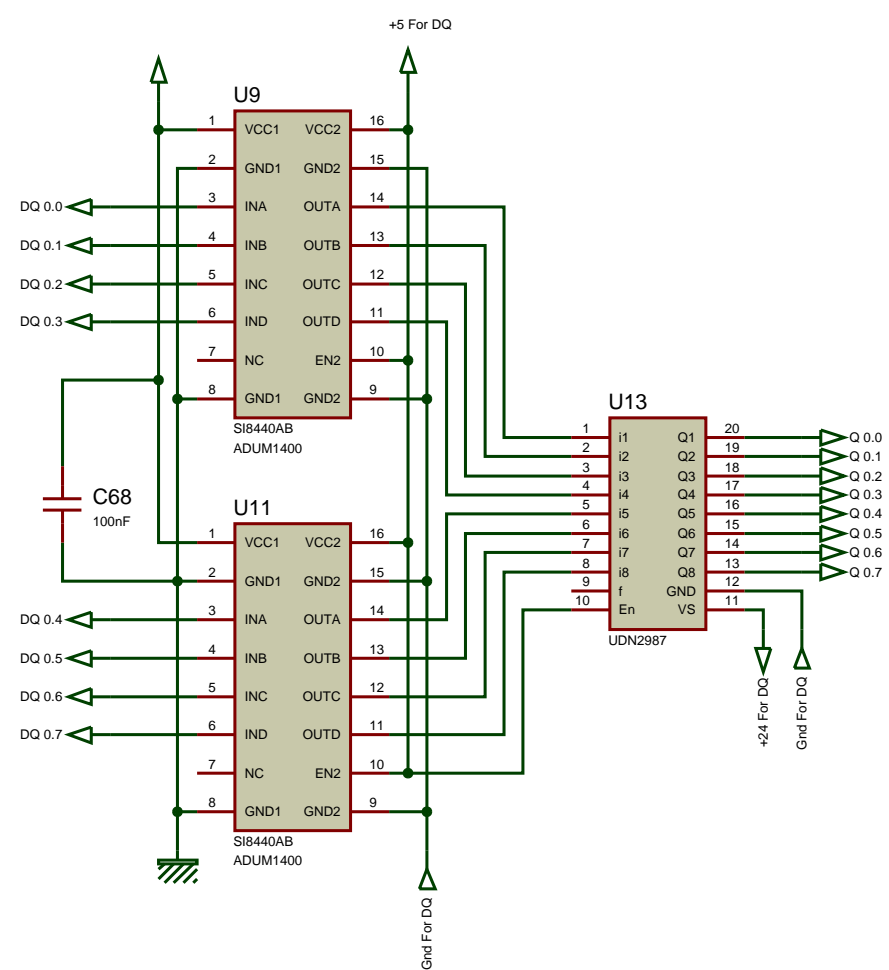


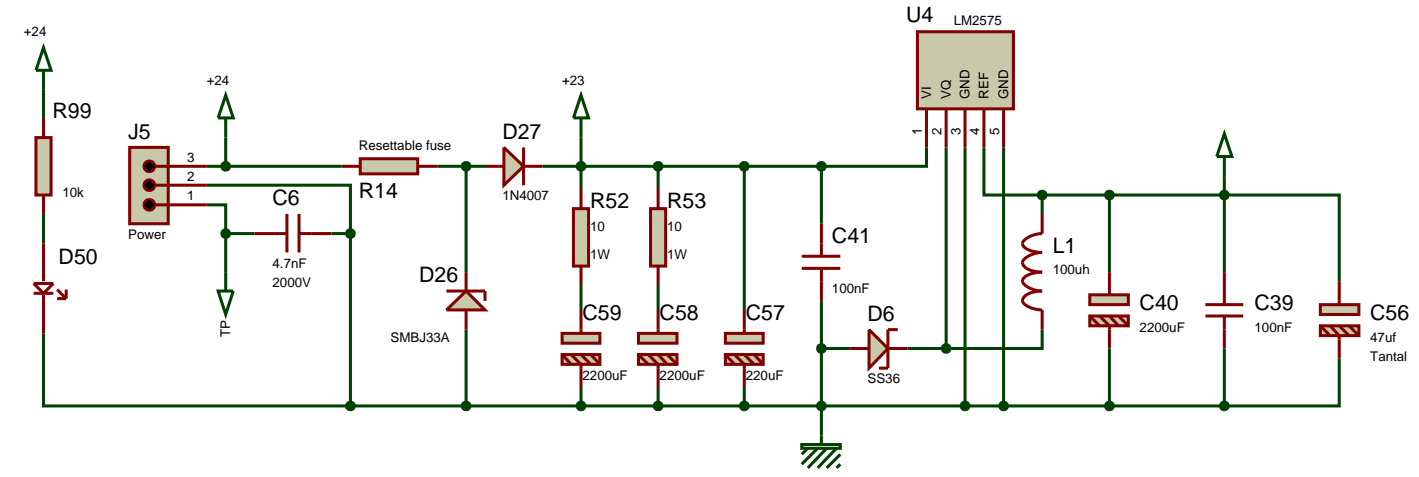
DIGITAL INPUT



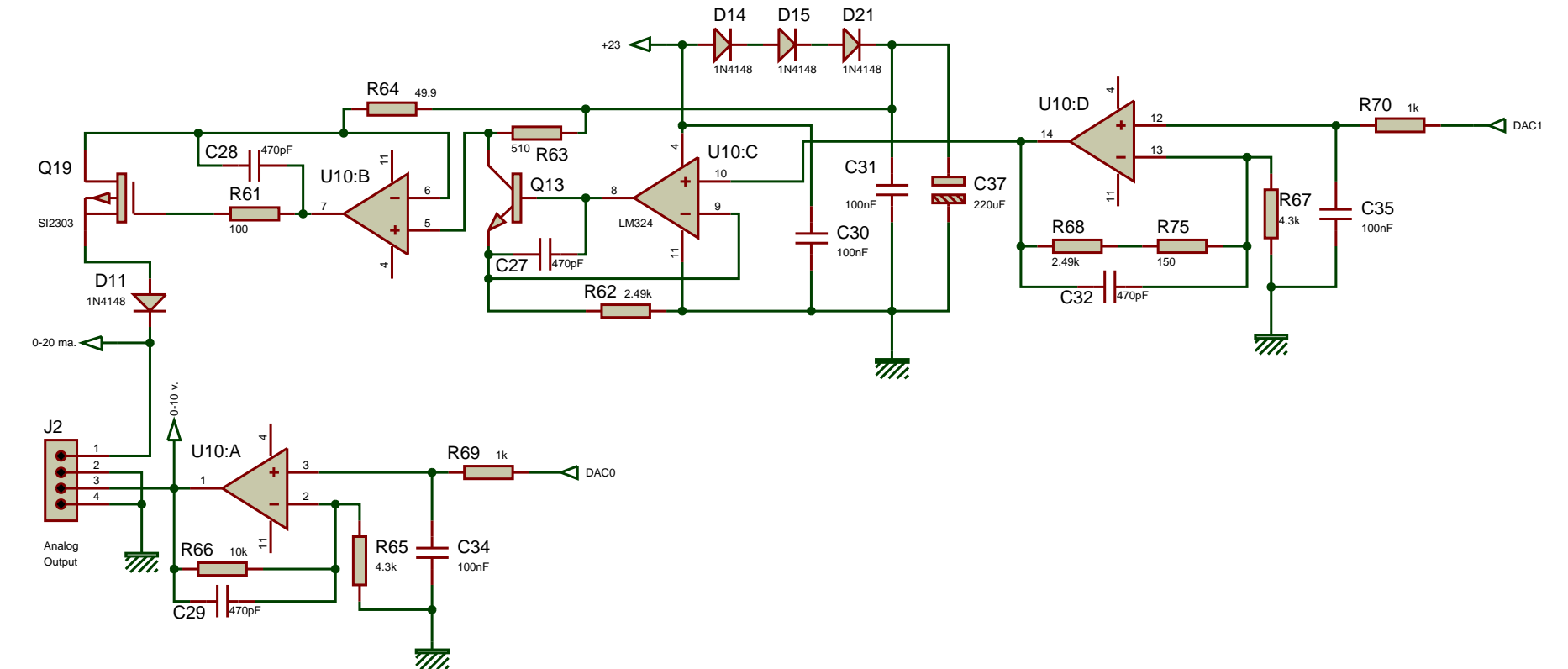
DIGITAL OUTPUT



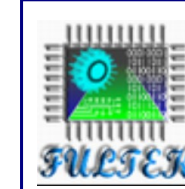
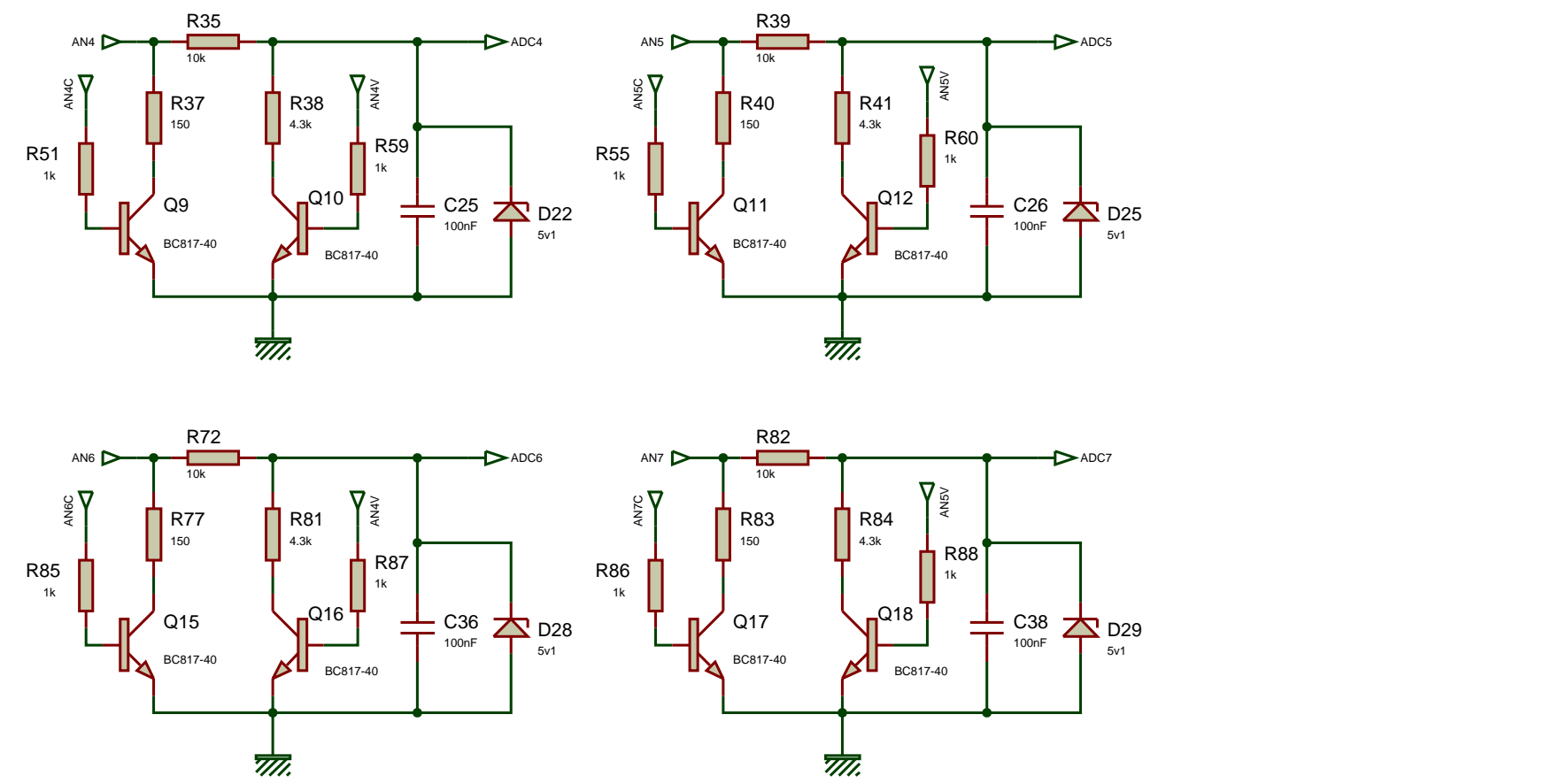
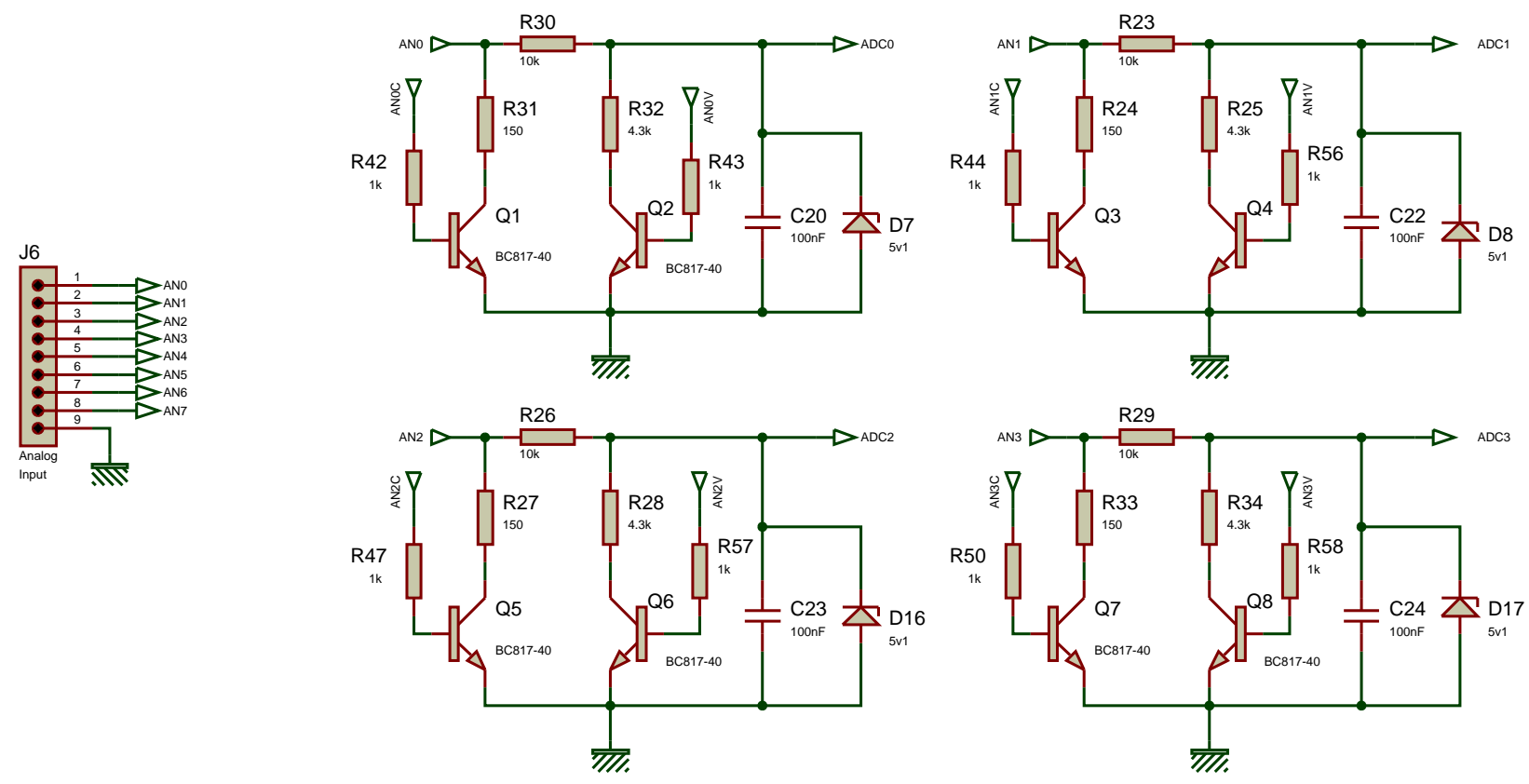
POWER



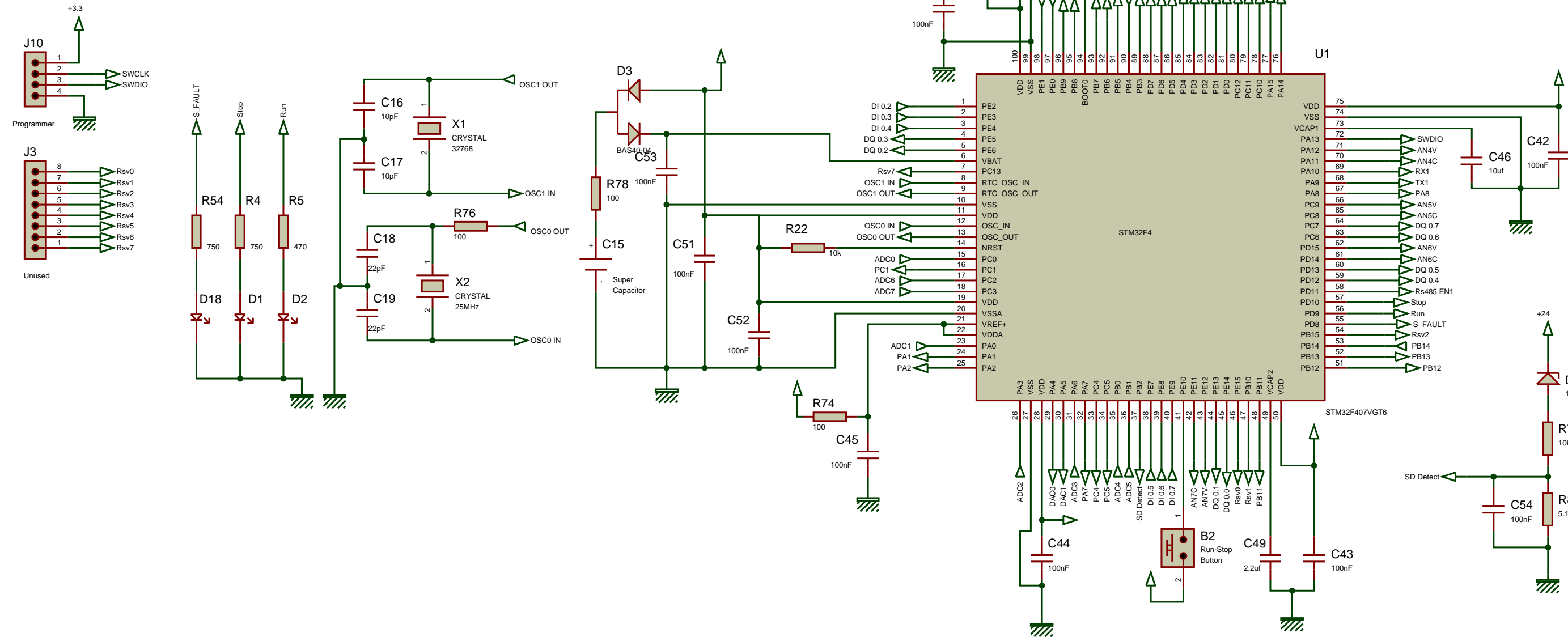
ANALOG OUTPUT



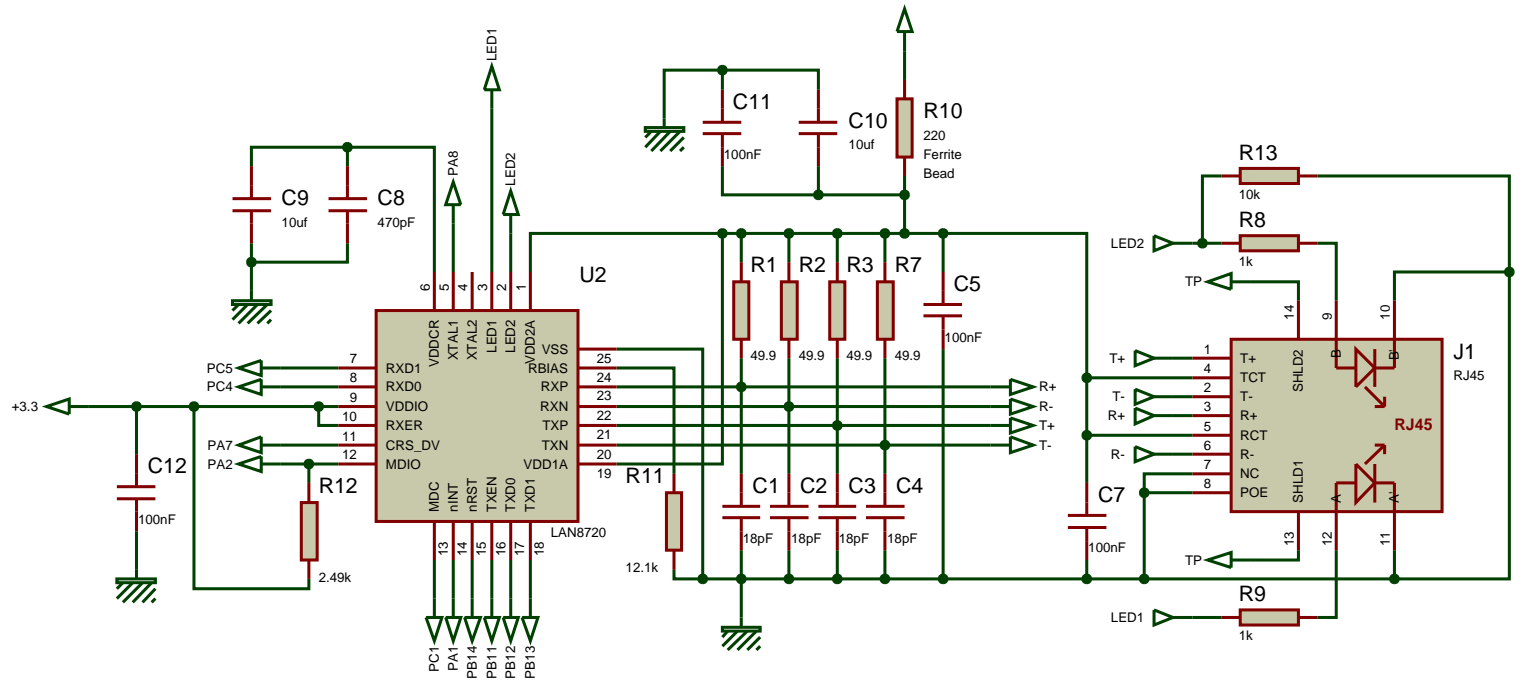
ANALOG INPUT



MCU



Ethernet



RS 485

