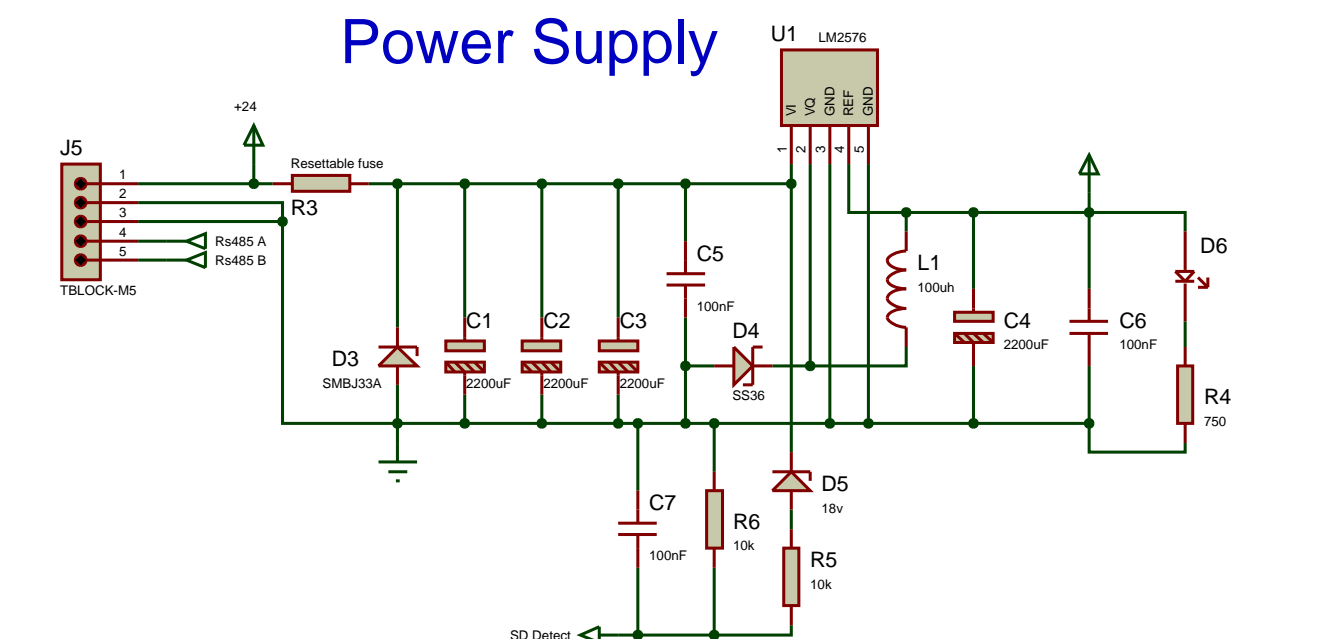


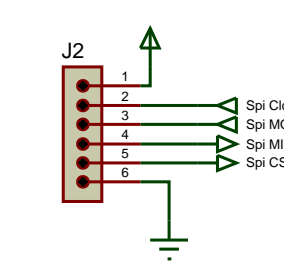
Digital Output

Do not plug U6, U7, U10, U11 if you are using SPI

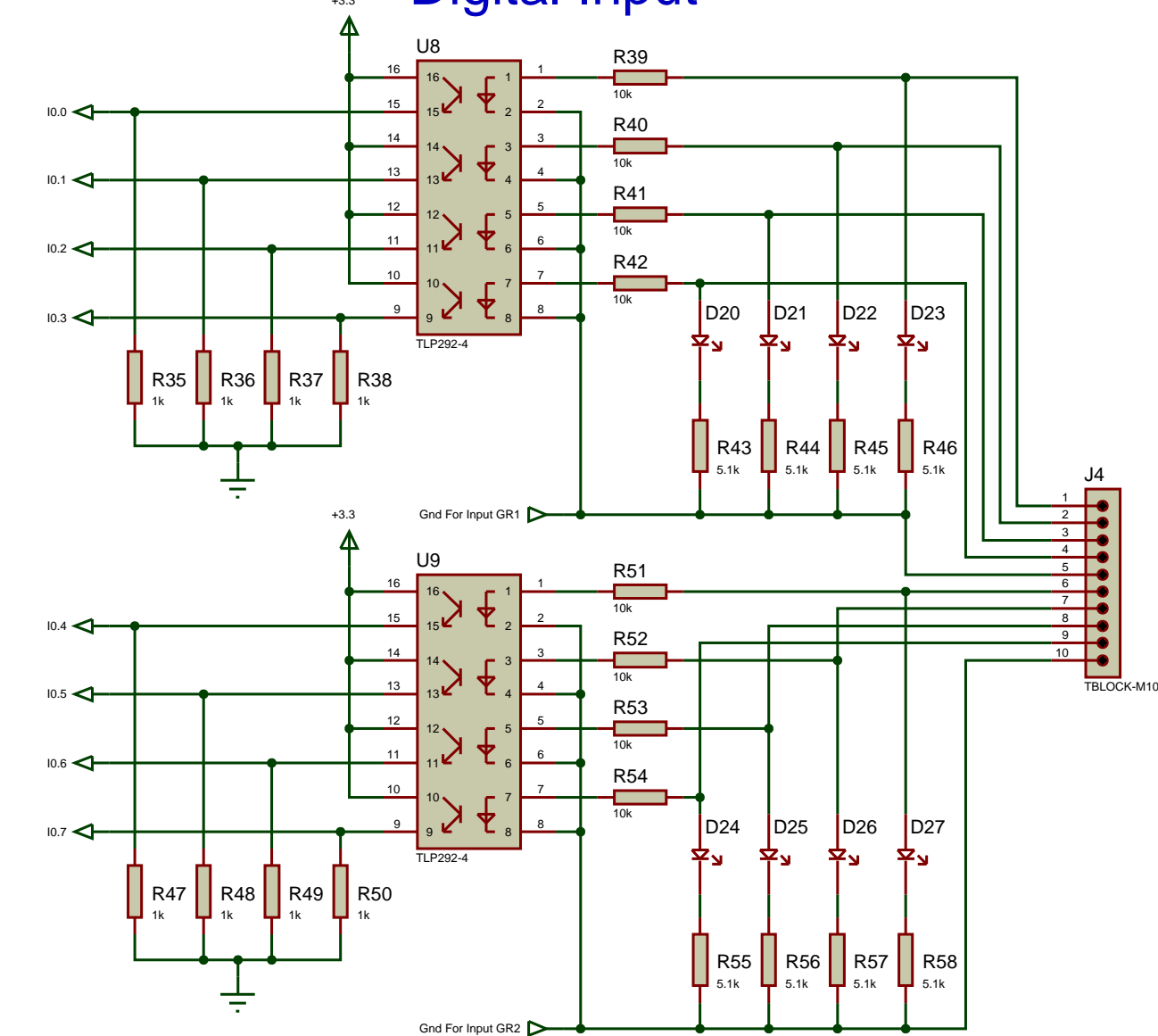
Power Supply



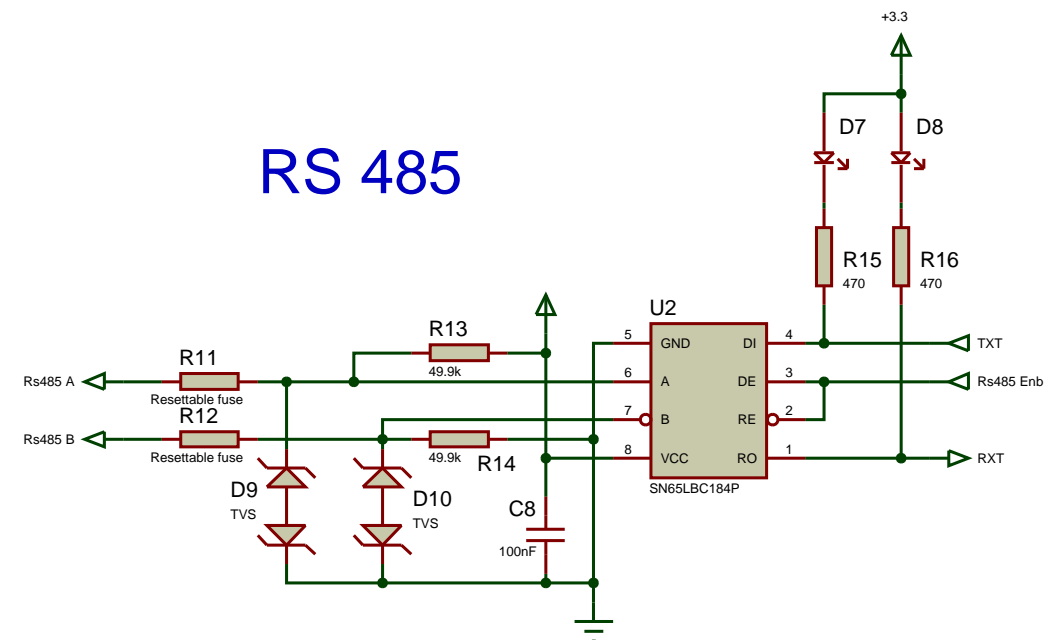
SPI Interface



Digital Input



RS 485



Real Time Clock

