

Fulmatic 7—Silver CPU 100R (SC-10808-40-00)

Supply Voltage	24VDC (+/- %15)
Power Consumption	2.4W Standby
Program Cycle Time	Max loop speed 65KHz.
Digital Input / Output	8 Dijital Input / 8 Relay Output
Analog Input / Output	N/A
1x RS485	1200-230400bps speed range. ModBus RTU support.
1x Ethernet	10/100mbps Full Duplex, DHCP support, TCP ModBus support (5 sockets) Web Server 512KB File Space (10 sockets)
I/O Capacity	512 Analog Input / 512 Analog Output or 8192 Digital Input / 8192 Digi- tial Output
RTC	Real Time Clock (Runs 30 days without electriciricity.)
Accuracy Temperature	-20 +60 °C / %5-95 Humidity



Fultek Kontrol Sistemleri San. ve Tic. Ltd. Sti.

Address: Buyuksehir Mah. Cumhuriyet
Cad. Ekinoks E2 Blok K:2 D:8
Beylikduzu / Istanbul

Phone:

+90 212 871 01 28

E mail:

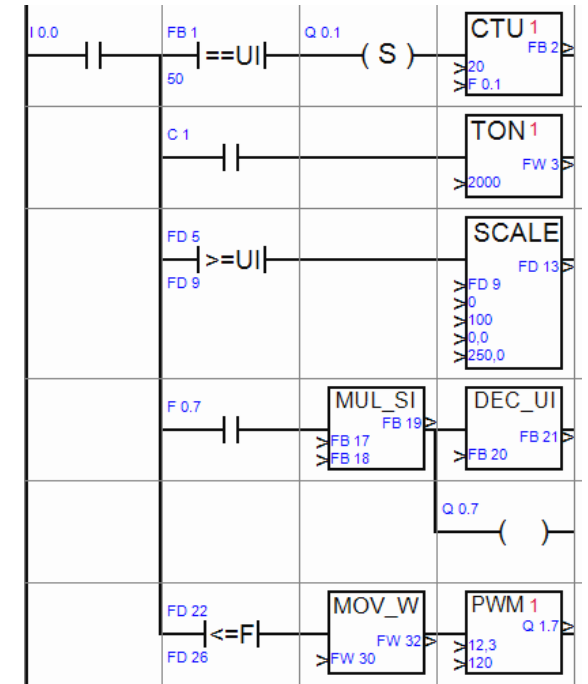
info@fultek.com.tr

Web:

www.fultek.com.tr

Fulmatic 7 Silver Series PLC CPU Module

CPU 100R (SC-10808-40-00)



FULMATIC 7 - CPU100R PLC MODULE

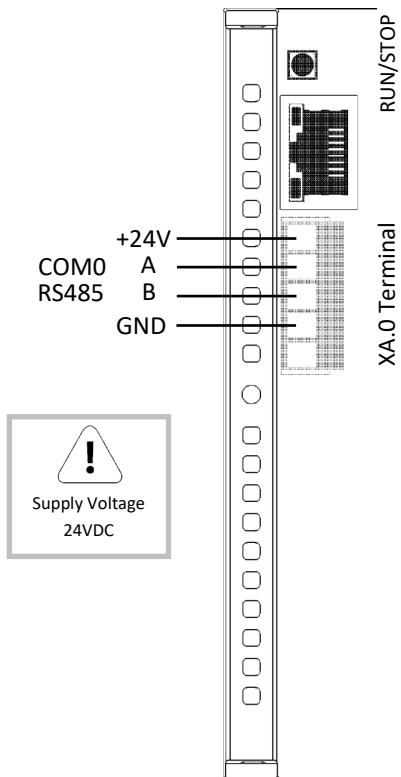
A. GENERAL FEATURES

Fulmatic 7 - Series PLCs are the programmable control devices which are designed according to the automation needs by considering the tough conditions of the industry.

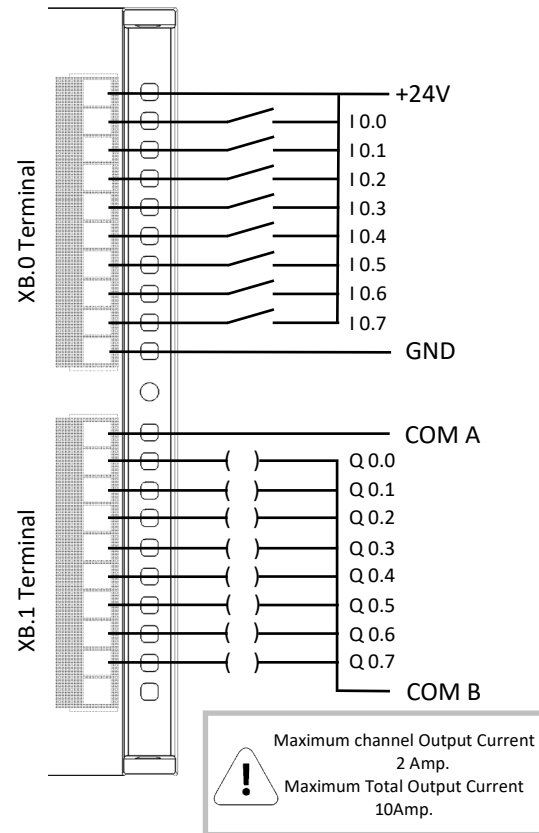
Technical Features of CPU 100R PLC Module; 32KB program memory, 1x 10 / 100Mbit full duplex Ethernet connection, Modbus TCP (5 sockets), web server with 512KB file space (10 sockets), 1x RS485 serial port at 1200-230400bps speed (Modbus RTU support) 8x 50KHz. digital input and 8x 2.0 ampere relay output (all channels sum max. 10 ampere).

B. TERMINAL CONNECTIONS

SUPPLY AND COMMUNICATION CONNECTIONS



Digital Input and Relay Output Connections



C. WARNINGS

- PLC must be de-energized before wiring. Wiring must be done in accordance with the connection diagram.
- Sections of the cables that connect to terminals should be taken into consideration. The cables to be connected must be used by stripping them to the point where they can enter into the terminal. It should be noted that excessively stripped cables may come into contact with cables in other terminals.
- When the power is on, removing and installing the cables in the terminal, adding and removing the expansion modules can cause damage to the PLC.

D. PRACTICAL INFORMATION

- System Fault led is on: When the CPU is out of power for more than 30 days, the PLC clock needs to be updated. Connect to PLC with Speed Plc program and update PLC clock.

- Input and Output signals are not visible: Since the Input and Output terminals are isolated, additional supply is required. Otherwise, input and output signals cannot be seen.

- Stop leds are blinking: You will see this warning when the supply voltage goes below the tolerance voltage. Check the supply voltage.

- COM TX / RX lights do not light up: Check RS485 A and B terminals. Check if the line terminating resistor (120Ω) is installed at the end of the line.

- I cannot connect to the CPU with Speed Plc: Check the PLC connection settings on Speed Plc program. If your connection type is Ethernet; Check the ip address, tcp port, plc address. If you provide the PLC connection via direct connection without a network, you do not need a cross cable. The settings required for direct connection are on our website. Follow the instructions in the user manual. If your connection type is the serial port; Check the serial port, baudrate, parity, stop bit values and plc address.

Default Connection Settings

		Modbus Tcp Ip Ip Address: 192.168.0.10 Tcp Port No: 502 Plc Address: 0 Timeout(Ms): 1000	Modbus Rtu Serial Port: [Dropdown] Baudrate: 115200 Parity: None <input checked="" type="radio"/> Stop Bit 1 <input type="radio"/> Stop Bit 2 Plc Address: 0 Timeout(Ms): 1000
--	--	---	--

E. SOFTWARE and PROGRAMMING

Fulmatic 7 - Silver Series PLCs can be programmed with the ladder method through the Speed Plc program. For detailed information, visit our website (www.fultek.com.tr). Although the Speed Plc program is paid for other platforms, you can use it for free with Fultek branded PLCs.

F. RETURN TO FACTORY SETTINGS

To return the PLC CPU module to its factory settings, turn off the energize of the PLC, hold down the Run / Stop button, re-energize and wait until the Run led turns on. PLC has returned to factory settings.